

995F

EXCAVATOR

ENGINE	OPERATING WEIGHT	GROSS POWER	BUCKET CAPACITY	MAX. DIGGING DEPTH
Perkins 2806J-E18TA	209,000 lb (94,800 kg)	608 hp (447.5 kW)	7.3 yd ³ (5.6 m ³)	23 ft 7 in (7,185 mm)



XTRACARE+
WARRANTY

SPECIFICATIONS

ENGINE

Electronically controlled, direct injection engine with oil bath pre-cleaner, charge-air cooler, 3 power modes, auto-idle and auto-shutdown.

Emissions rating	EPA Tier 4 Final/EU Stage V
Make	Perkins
Model	2806J-E18TA
Aspiration	Wastegate Turbo (WGT)
Charged engine air cooling	Aftercooler
Cooling fan drive	Hydraulic & Direct
Displacement	1,105 in ³ (18.1 L)
Gross power	608 hp (447.5 kW) @ 2,000 rpm
Net power	589 hp (433 kW) @ 1,800 rpm
Peak torque	2,073 lbf-ft (2,811 N·m) @1,300 rpm
Cylinders	6-cylinder, in-line, water-cooled
Bore × Stroke	5.7 in x 7.2 in (145 mm × 183 mm)

HYDRAULIC SYSTEM

Main pump, type	Kawasaki K7V
Main pump, maximum flow	2x293 gpm (2 x 1,108 L/min)
Implement	Normal: 5,076 psi (35 MPa) Power boost: 5,410 psi (37.3 MPa)
Auxiliary 1, one-way pressure	3,190 psi (22 MPa)
Auxiliary 1, two-way pressure	3,190 psi (22 MPa)
Auxiliary 1, maximum flow	132 gpm (500 L/min)
Auxiliary 2, two-way pressure	3,915 psi (27 MPa)
Auxiliary 2, maximum flow	17 gpm (65 L/min)
Slew circuit	4,496 psi (31 MPa)
Travel circuit	5,076 psi (35 MPa)
Pilot pump, type	Gear pump
Pilot circuit	508-566 psi (3.5-3.9 MPa)
Pilot pump, maximum flow	10 gpm (37.1 L/min)

OPERATING WEIGHT

Operating weight, typical	209,000 lb (94,800 kg)
Operating weight, maximum	229,900 lb (104,280 kg)

SERVICE CAPACITIES

Fuel tank	328 gal (1,240 L)
Engine oil	16.9 gal (64 L)
Final drive, each	6.6 gal (25 L)
Swing drive	2 x 3.7 gal (2 x 14 L)
Cooling system	26.4 gal (100 L)
Hydraulic reservoir	127 gal (480 L)
Hydraulic system total	254 gal (960 L)
DEF tank	12.7 gal (48 L)

UNDERCARRIAGE

Track shoe, each side	51
Link pitch	10 in (260.4 mm)
Shoe width, typical	26 in (650 mm)
Bottom rollers, each side	9
Top rollers, each side	3

SWING SYSTEM

Planetary gear reduction driven by high torque axial piston motor, with oil disk brake. Swing parking brake resets within five seconds after swing control returns to neutral.

Swing speed	6.4 rpm
Swing torque	277,309 lbf-ft (376,000 N·m)

DRIVE & BRAKES

2-speed axial piston motors with oil disk brakes. Steering controlled by two hand levers with pedals.

Max. travel speed	High: 2.6 mph (4.2 km/h) Low: 1.6 mph (2.6 km/h)
Gradeability	35°/70%
Max. drawbar pull	146,126 lbf (650 kN)

ELECTRIC SYSTEM

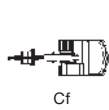
System voltage	24 V
Battery	Two sets (2 x 12 V, in series)
Alternator	24 V - 115 A
Starter motor	24 V - 12.1 hp (24 V - 9.0 kW)

SOUND PERFORMANCE

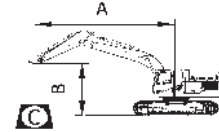
Interior sound level (ISO 6396)	72 dB(A)
Exterior sound level (ISO 6395)	107 dB(A)

SPECIFICATIONS

- A: Load radius
- B: Load point height
- C: Lifting capacity
- Cf: Rating over front
- Cs: Rating over side



Conditions:
 Boom length: 23 ft 9 in (7,250 mm)
 Arm length: 9 ft 7 in (2,925 mm)
 Counterweight: 27,557 lb (12,500 kg)
 Shoes: 26 in (650 mm)
 Bucket: None



1. *Indicates the load is limited by hydraulic capacity rather than the tipping capacity.
2. The below loads are in compliance with the ISO 10567 lift capacity rating standard and do not exceed 87% of the hydraulic lifting capacity or 75% of the tipping load.
3. Rating at bucket lift point.

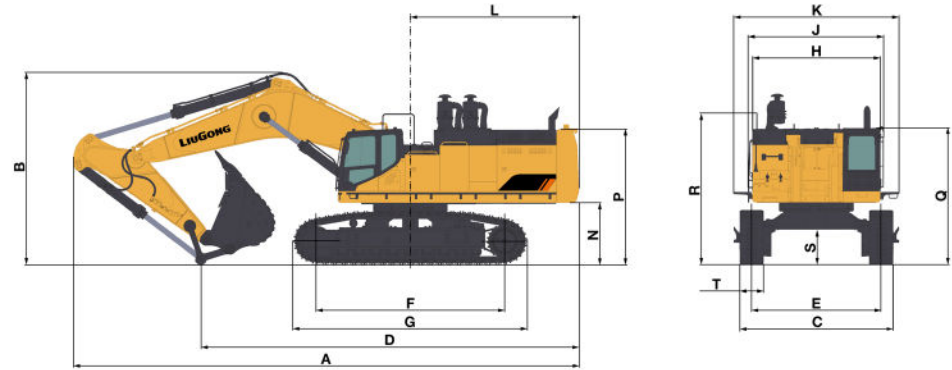
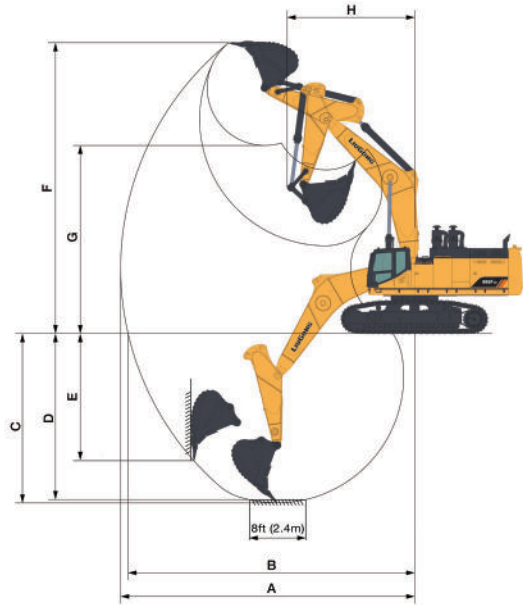
995F

A Reach: ft (m)

B: Height ft (m)		10 ft (3 m)		13 ft (4 m)		16 ft (5 m)		20 ft (6 m)		23 ft (7 m)		26 ft (8 m)		30 ft (9 m)		33 ft (10 m)	
		Cf	Cs	Cf	Cs	Cf	Cs	Cf	Cs	Cf	Cs	Cf	Cs	Cf	Cs	Cf	Cs
29 ft 6 in 9 m	lb kg									*54,790 *24,850	*54,790 *24,850						
26 ft 3 in 8 m	lb kg									*55,310 *25,090	*55,310 *25,090	*52,300 *23,720	49,160 22,300				
23 ft 0 in 7 m	lb kg							*62,890 *28,520	*62,890 *28,520	*57,090 *25,890	*57,090 *25,890	*52,970 *24,020	48,650 22,070	*44,010 *19,960	40,190 18,230		
19 ft 8 in 6 m	lb kg			*98,100 *44,500	*98,100 *44,500	*78,650 *35,670	*78,650 *35,670	*67,240 *30,500	*67,240 *30,500	*59,700 *27,080	58,480 26,530	*54,410 *24,680	47,750 21,660	*50,590 *22,950	39,810 18,060		
16 ft 5 in 5 m	lb kg					*87,170 *39,540	*87,170 *39,540	*72,190 *32,740	71,180 32,290	*62,730 *28,450	56,740 25,740	*56,210 *25,490	46,670 21,170	*51,470 *23,350	39,170 17,770		
13 ft 1 in 4 m	lb kg							*76,850 *34,860	68,360 31,010	*65,690 *29,790	54,960 24,930	*58,030 *26,320	45,500 20,640	*52,450 *23,790	38,440 17,440		
9 ft 10 in 3 m	lb kg							*80,260 *36,400	65,960 29,920	*68,050 *30,860	53,320 24,190	*59,550 *27,010	44,400 20,140	*53,240 *24,150	37,690 17,100	*46,200 *20,950	32,470 14,730
6 ft 7 in 2 m	lb kg							*81,800 *37,100	64,220 29,130	*69,390 *31,470	52,020 23,600	*60,410 *27,400	43,450 19,710	*53,550 *24,290	37,050 16,810	*46,740 *21,200	32,090 14,560
3 ft 3 in 1 m	lb kg					*64,230 *29,130	*64,230 *29,130	*81,380 *36,910	63,110 28,630	*69,470 *31,510	51,080 23,170	*60,370 *27,380	42,720 19,380	*53,120 *24,090	36,550 16,580		
Ground Level	lb kg					*82,410 *37,380	82,200 37,300	*79,150 *35,900	62,560 28,380	*68,120 *30,900	50,500 22,910	*59,200 *26,850	42,260 19,170	*51,650 *23,420	36,260 16,450		
-3 ft 3 in -1 m	lb kg			*63,690 *28,890	*63,690 *28,890	*86,310 *39,150	82,380 37,370	*72,240 *34,130	62,450 28,330	*65,210 *29,580	50,300 22,820	*56,600 *25,670	42,100 19,100	*48,540 *22,010	36,220 16,430		
-6 ft 7 in -2 m	lb kg	*66,800 *30,300	*66,800 *30,300	*86,480 *39,220	*86,480 *39,220	*78,860 *35,770	*78,860 *35,770	*69,470 *31,510	62,690 28,440	*60,470 *27,430	50,410 22,870	*52,030 *23,600	42,240 19,160				
-9 ft 10 in -3 m	lb kg			*75,240 *34,130	*75,240 *34,130	*69,200 *31,380	*69,200 *31,380	*61,410 *27,850	*61,410 *27,850	*53,240 *24,150	50,940 23,110	*44,130 *20,010	42,830 19,430				
-13 ft 1 in -4 m	lb kg			*60,260 *27,330	*60,260 *27,330	*56,350 *25,560	*56,350 *25,560	*50,000 *22,680	*50,000 *22,680	*41,710 *18,920	*41,710 *18,920						

SPECIFICATIONS

EXCLUSIVELY FOR DEALER



WORKING RANGES

Description		Standard Arm
Boom		23 ft 9 in (7,200 mm)
Arm options		9 ft 7 in (2,925 mm)
A	Max. digging reach	41 ft 0 in (12,488 mm)
B	Max. digging reach at ground level	39 ft 11 in (12,172 mm)
C	Max. digging depth	23 ft 7 in (7,185 mm)
D	Max. digging depth 8 ft (2.4m) level	23 ft 1 in (7,044 mm)
E	Max. vertical wall digging depth	17 ft 8 in (5,395 mm)
F	Max. digging height	40 ft 6 in (12,342 mm)
G	Max. dumping height	26 ft 2 in (7,979 mm)
H	Min. swing radius	17 ft 9 in (5,415 mm)
Arm digging force (ISO)	Normal	87,900 lbf (391 kN)
	Power Boost	92,846 lbf (413 kN)
Bucket digging force (ISO)	Normal	105,885 lbf (471 kN)
	Power Boost	111,505 lbf (496 kN)
Bucket capacity *		7.3 yd ³ (5.6 m ³)
Bucket tip radius *		8 ft 0 in (2,445 mm)
Bucket width *		93 in (2,350 mm)

* Factory standard

DIMENSIONS

Description	Standard Arm	
Boom	23 ft 9 in (7,200 mm)	
Arm options	9 ft 7 in (2,925 mm)	
A	Shipping length	45 ft 2 in (13,757 mm)
B	Shipping height top of boom	17 ft 2 in (5,228 mm)
C	Undercarriage width, standard [shipping]	14 ft 8 in (4,476 mm) [11 ft 2 in (3,400 mm)]
D	Shipping length on ground	29 ft 10 in (9,084 mm)
E	Track gauge, standard [shipping]	11 ft 6 in (3,510 mm) [9 ft 0 in (2,750 mm)]
F	Length to center of rollers	16 ft 10 in (5,120 mm)
G	Track length	20 ft 10 in (6,360 mm)
H	Overall width of upper structure	12 ft 2 in (3,700 mm)
J	Overall width of upper structure, including hand rails	13 ft 1 in (4,000 mm)
K	Overall width of upper structure, including service platforms	14 ft 9 in (4,500 mm)
L	Tail swing radius	15 ft 5 in (4,700 mm)
N	Counterweight ground clearance	5 ft 6 in (1,675 mm)
P	Overall height of counterweight	12 ft 3 in (3,746 mm)
Q	Overall height of cab	12 ft 3 in (3,746 mm)
R	Overall height of platform handrail	14 ft 5 in (4,400 mm)
S	Minimum ground clearance	37 in (950 mm)
T	Track shoe width	26 in (650 mm)
		28 in (700 mm)

LGNA-SS-995F-202305-ENG-US

Specifications and designs are subject to change without notice. Machines shown may include optional equipment.

LiuGong Construction Machinery N.A., LLC.
22220 Merchants Way - Suite 100
Katy, TX 77449
USA

T: 281-579-8882
www.liugongna.com

F: 281-579-8388