

S1930DE

MEWP

PLATFORM HEIGHT
Min / Max: 3 / 19 ft

RAISING/FALLING
Time: 25/20 s

DRIVE SPEED
Stowed / Raised: 2.5 / 0.4 mph



SPECIFICATIONS

EXCLUSIVELY FOR DEALER

Size

Max. work height	A	26 ft
Max. platform height	b	19 ft
Min. platform height	C	3 ft
Platform length	d	64.6 in
Platform width	e	29.5 in
Max. platform extension length	f	35.4 in
Overall length	g	73 in
Overall length (without ladder)	h	65.4 in
Overall width	l	31 in
Overall height (rails up)	J	84.6 in
Overall height (rails down)	K	67.7 in
Wheelbase	l	52 in
Ground clearance (stowed)	m	2.4 in
Ground clearance (raised)	n	0.8 in

Performance

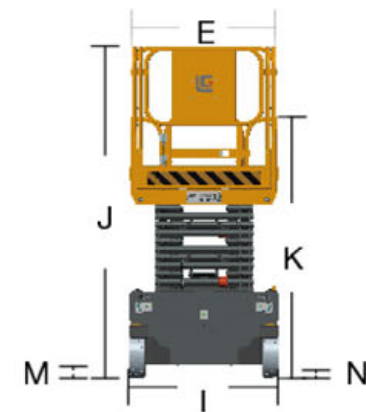
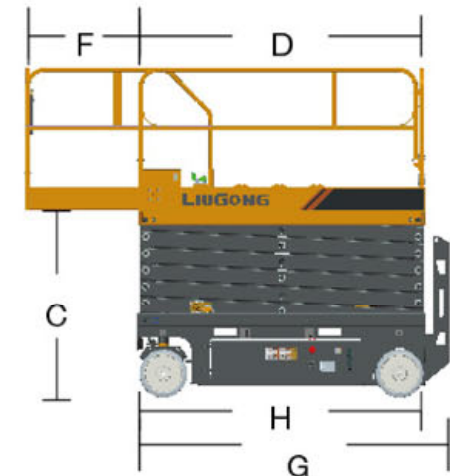
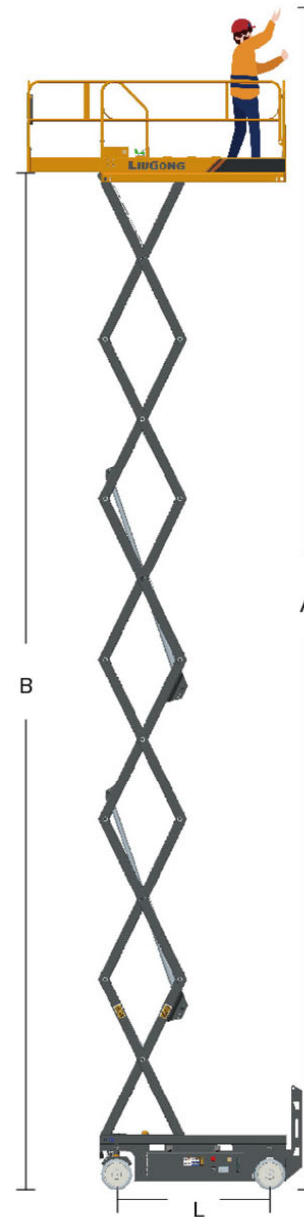
Rated load on working platform	507 lb
Safe working load on extended platform	220 lb
Max. number of workers	2
Drive speed (stowed)	2.5 mph
Drive speed (raised)	0.4 mph
Turning radius (inside)	0 in
Turning radius (outside)	63 in
Raising/falling time	25/20 s
Max. gradeability	30%
Max. working slope (lateral/vertical)	X1.5°/Y3°
Tire size	14X4.5

Power

Drive motor	1 hp
Battery	215 Ah
Charger	24V30A

Weight

Total weight	3,396 lb
--------------	----------



LGNA-SS-S1930DE-20211011-ENG-US

Specifications and designs are subject to change without notice.
Machines shown may include optional equipment.

LiuGong Construction Machinery N.A., LLC.
22220 Merchants Way - Suite 100
Katy, TX 77449
USA

T: 281-579-8882
www.liugongna.com

F: 281-579-8388