

LIUGONG
NORTH AMERICA

856Hv

WHEEL LOADER

ENGINE
Cummins
B6.7

OPERATING WEIGHT
44,423 lb
(20,150 kg)

GROSS POWER
225 hp (168 kW)
@ 2,000 rpm

BUCKET CAPACITY
4.2 yd³
(3.2 m³)



SPECIFICATIONS

ENGINE

Emissions rating	Stage V
Make	Cummins
Model	B6.7
Gross power	245 hp (183 kW) @ 1,700 rpm
Net power	233 hp (174 kW) @ 1,700 rpm
Peak torque	875 lbf-ft (1186 N·m) @ 1,300 rpm
Cylinders	6
Displacement	1.77 gal (6.7 L)
Aspiration	Turbocharged & Air-to-air intercooled

TRANSMISSION

Transmission type	Countershaft, powershift
Torque converter	Single stage, three elements
Max. travel speed, fwd	23.6 mph (38 km/h)
Max. travel speed, rev	15.7 mph (25.3 km/h)
Number of speeds, fwd	4
Number of speeds, rev	3

AXLES

Differential front type	LSD
Differential rear type	LSD
Axle oscillation	±12°

STEERING

Steering configuration	Flow amplification valve
Steering pressure	2,611 psi (18 MPa)

BRAKES

Service brake type	Wet disc brake
Service brake actuation	Single pedal+Fully hydraulic
Parking brake type	Drum
Parking brake actuation	SAHR

HYDRAULIC SYSTEM

Main pump type	Piston
System pressure	3,191 psi (22 MPa)
Raise	5.3 s
Dump time	1.4 s
Float down time	3.5 s
Total cycle time	10.2 s

BUCKET PERFORMANCE

Bucket capacity	4.2 yd ³ (3.2m ³)
-----------------	--

TIRES

Tire size	23.5R25
-----------	---------

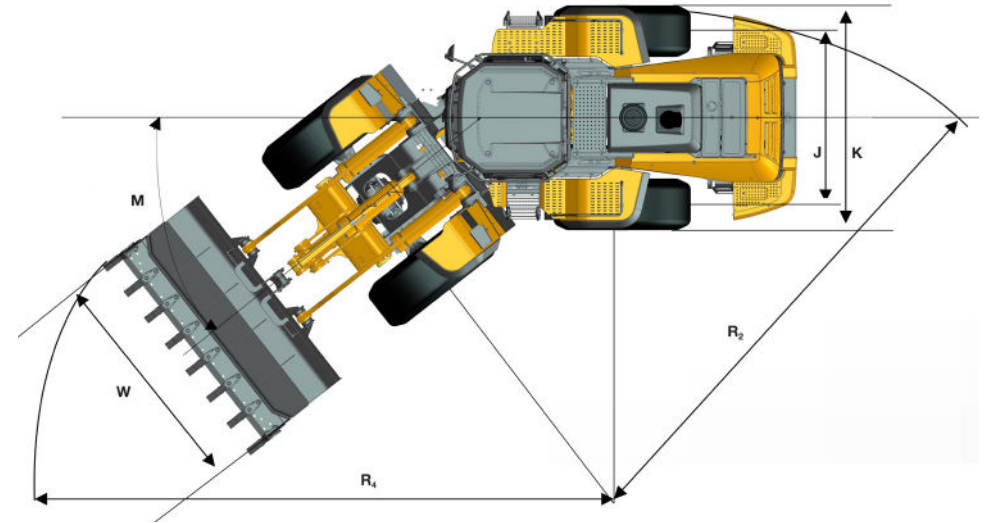
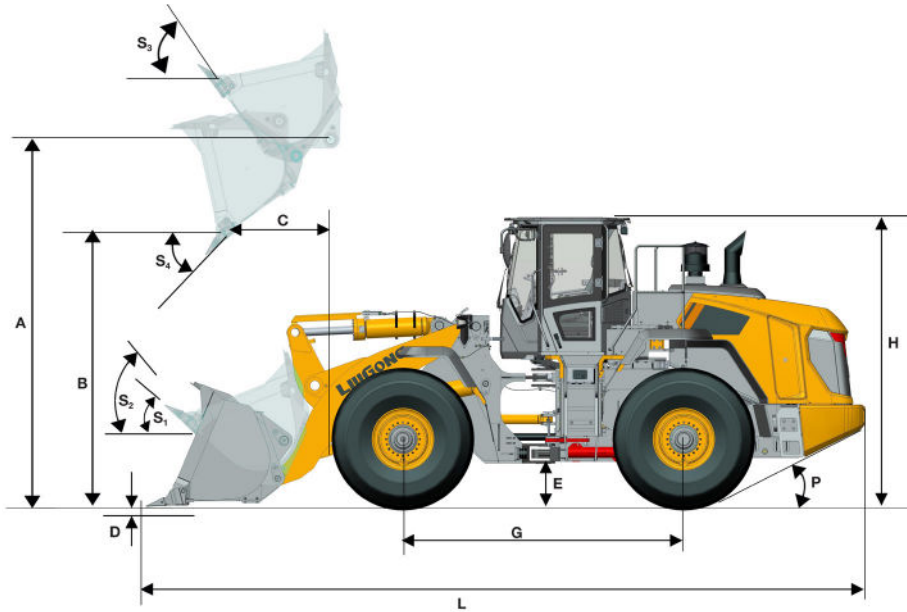
OPERATING WEIGHT

Operating weight	44,423 lb (20,150 kg)
------------------	-----------------------

SERVICE CAPACITY

Fuel tank	71.3 gal (270 L)
Engine oil	4.8 gal (18 L)
Cooling system	11.6 gal (44 L)
Hydraulic system	66.6 gal (252 L)
Transmission	9.2 gal (35 L)
Axles, each	Front axle: 11.6 gal /11.4 gal (44 L/43L) Rear axle: 11.6 gal/12.7 gal (44L/48L)
DEF tank	12.9 gal (49 L)

SPECIFICATIONS



LOADER ARM PERFORMANCE WITH ATTACHMENT

Description

Tipping load - straight	34,646 lb (15,715 kg)
Tipping load - full turn	30,086 lb (13,647 kg)
Bucket breakout force	34,396 lbf (153 kN)
A Maximum hinge pin height	13 ft 7 in (4,156 mm)
B Dump clearance at full height discharge	9 ft 5 in (2,862 mm)
C Dump reach at full height discharge	3 ft 11 in (1,207 mm)
D Max. digging depth, bucket level	6 in (150 mm)
S ₁ Bucket rollback at ground level	42.7°
S ₂ Bucket rollback at carry	48°
S ₃ Bucket rollback at max. height	62.3°
S ₄ Max. dump angle at full height	45°

DIMENSIONS

Description

E Ground clearance	1 ft 4 in (431 mm)
G Wheelbase	10 ft 10 in (3,320 mm)
H Cab height	11 ft 3 in (3,450 mm)
J Wheel tread	7 ft (2,150 mm)
K Width over tires	9 ft (2,750 mm)
L Length with bucket down	27 ft 3 in (8,303 mm)
M Turn angle, either side	38°
P Rear angle of departure	28°
R ₁ Turning radius, bucket carry	22 ft 7 in (6,887 mm)
R ₂ Turning radius, outside of tire	20 ft 4 in (6,195 mm)
W Width over bucket	9 ft 7 in (2,928 mm)

EXCLUSIVELY FOR DEALER

LGNA-SS-856HV-202301-ENG-US

Specifications and designs are subject to change without notice.
Machines shown may include optional equipment.

LiuGong Construction Machinery N.A., LLC.
22220 Merchants Way - Suite 100
Katy, TX 77449
USA

T: 281-579-8882
www.liugongna.com

F: 281-579-8388