

LIUGONG
NORTH AMERICA

6612E

ROLLER

ENGINE
Cummins
QSB4.5

OPERATING WEIGHT
27,117 lb
(12,300 kg)

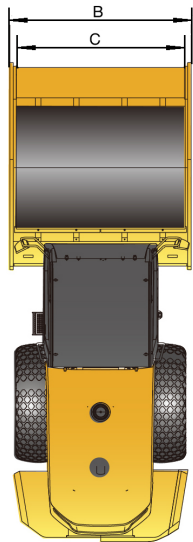
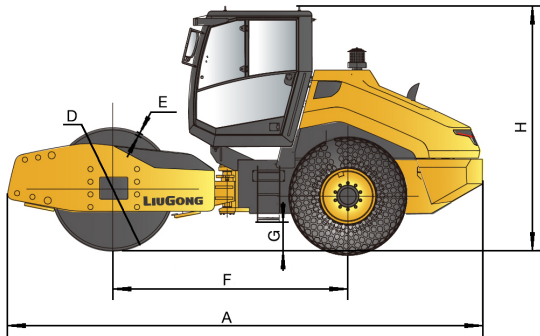
NET POWER
155 hp
(116 kW) @ 2,000 rpm

COMPACTING WIDTH
83.85 in
(2,130 mm)



SPECIFICATIONS

EXCLUSIVELY FOR DEALER



ENGINE

Emission Regulation	Tier 4F/Stage V
Make	Cummins
Model	QSB4.5
Net Power	155 hp (116 kW) @ 2,000 rpm
Peak Torque	460 lbf-ft (624 N-m) @ 1500 rpm
Number of Cylinders	4
Aspiration	Turbocharged & Air-to-Air Intercooler
Cooling Type	Water

ELECTRICAL SYSTEM

System Voltage	24 V
----------------	------

DRIVE TRAIN

Theoretical Gradeability	50%
Transmission Type	Hydraulic
1st Max. Speed, Fwd	2.8 mph (4.5 km/h)
2nd Max. Speed, Fwd	3.7 mph (6 km/h)
3rd Max. Speed, Fwd	4.3 mph (7 km/h)
4th Max. Speed, Fwd	7.5 mph (12 km/h)
Min. Outside Turning Radius	213.25 ft (6,500 mm)

STEERING

Steering System	Hydraulic
Steering Method	Articulation
Steering Angle	± 35°
Steering Relief Pressure	2,323.6 psi (16 MPa)

BRAKES

Service Brake Type	Hydraulic
Service Brake Actuation	Hydraulic
Parking Brake Actuation	Mechanical apply; Hydraulic release

TIRES

Tire Size	23.1-26-12PR
Tire Pressure	29-31 psi (200-220 kPa)

HYDRAULIC SYSTEM

Main Pump Type	Piston
Main Relief Pressure	5,076.32 psi (35 MPa)

PERFORMANCE

Static Linear Front Drum Load	2.42 lb-ft (329 N/cm)
Number of Vibrating Drums	1
Nominal Amplitude Range	0.075/0.047 in (1,900/1,200 mm)
Vibration Frequency Range	30/33 Hz
Centrifugal Force Range	67,442.7/47,209.9 lbf (300/210 kN)
Number of Amplitude Settings	2

OPERATING WEIGHT

Operating Weight with Ballast	27,117 lb (12,300 kg)
Mass on Vibrating Drum	15,432 lb (7,000 kg)
Mass on Drive Axle	11,685 lb (5,300 kg)

SERVICE CAPACITIES

Fuel Tank	52.83 gal (200 L)
Engine Oil	4.5 gal (17 L)
Hydraulic Oil Tank	26.41 gal (100 L)
Cooling System	7.4 gal (28 L)

DIMENSIONS

A Overall Length	263.2 in (6,000 mm)
B Overall Width	89.7 in (2,280 mm)
C Drum Width	83.85 in (2,130 mm)
D Drum Diameter	61.22 in (1,555 mm)
E Drum Thickness	0.98 in (25 mm)
F Wheelbase	117.32 in (2,980 mm)
G Min. Ground Clearance	18.11 in (460 mm)
H Overall Height	126 in (3,200 mm)

OPTIONAL EQUIPMENT

Rotary Beacon	
Compaction Meter	
GPS	

LGNA-SS-6612E-202301-ENG-US

Specifications and designs are subject to change without notice.
Machines shown may include optional equipment.

LiuGong Construction Machinery N.A., LLC.
22220 Merchants Way - Suite 100
Katy, TX 77449
USA

T: 281-579-8882
www.liugongna.com

F: 281-579-8388