

LIUGONG
NORTH AMERICA

2050H

3-SERIES FORK TRUCK

ENGINE
Cummins
(LPG or Dual Fuel)

RATED POWER
72.4 hp
(54 kW)

CAPACITY
10,000 lb
(5,000 kg)



SPECIFICATIONS

EXCLUSIVELY FOR DEALER

GENERAL

Model	CLG2050H (Light)	CLG2050H (Light)
Power type	1 Gasoline/LPG	Diesel Tier T4F
Operator type	2	Sit-Down Rider
Base capacity	3 @ rated load center	10,000 lb (5,000 kg)
Load center	4	24 in (500 mm)

WEIGHTS

Service weight	5 unloaded	15,102 lb (6,850kg)	14,969 lb (6,790 kg)
Axle load	6 loaded/unloaded, front	23,413/6,698 lb (10,620/3,038 kg)	
	7 loaded/unloaded, rear	2,480/8,172 lb (1,125/3,707 kg)	

TIRES

Tire type	8	Pneumatic
Wheels	9 front/rear	2/2
Wheelbase	10	78.7 in (2,000 mm)
Tire size	11 front	300-15-18PR
	12 rear	7.0-12-12PR
Tread width	13 front/rear	46.3/47.2 in (1,176/1,200 mm)

MAST

Max. fork height	14 with std 2-stage mast	118.1 in (3,000 mm)
Free lift	15 with std 2-stage mast	7.7 in (195 mm)
Height, upright lowered	16 with std 2-stage mast	90.2 in (2,290 mm)
Height, upright extended	17 with std 2-stage mast	171.3 in (4,350 mm)
Mast tilt, fwd, back	18 with std 2-stage mast	6°/12°
Carriage	19 ISO Class	III
	width	56.9 in (1,444 mm)
Fork spread	20 minimum/maximum	12.2/53.5 in (310/1,360 mm)
Fork dimensions	21 T x W x L	2.0 x 5.9 x 42.1 in (50 x 150 x 1070 mm)

CHASSIS

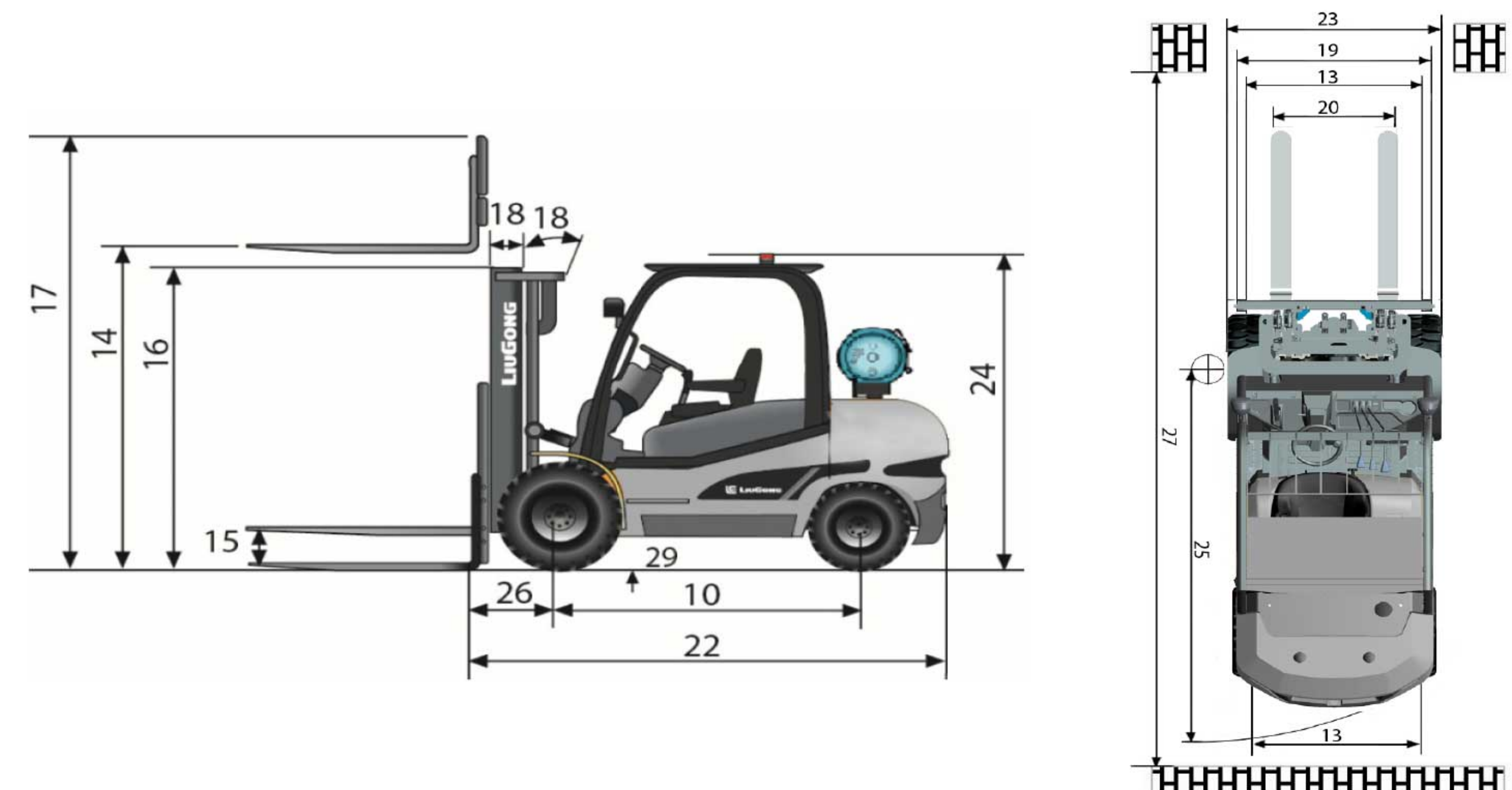
Length to fork face	22 with std 2-stage mast	126.8 in (3,220 mm)
Overall width	23	58.3 in (1,480 mm)
Overhead guard height	24	92.5 in (2,350 mm)
Turning radius	25 minimum outside	114.2 in (2,900 mm)
Fork overhang	26 with std 2-stage mast	22.2 in (563 mm)
Right angle stack	27 add load length and clearance	185.0 in (4,700 mm)
Ground clearance	28 minimum loaded	6.5 in (165 mm)
	29 center of wheelbase	5.3 in (135 mm)

PERFORMANCE

Model	CLG2050H (Light)	CLG2050H (Light)
Travel speed	30 loaded/unloaded	14.9/15.5 mph (24/25 km/h)
Lift speed	31 loaded/unloaded	88.6/94.5 fpm (0.45/0.48 m/s)
Lower speed	32 loaded/unloaded	102.4/94.5 fpm (0.52/0.48 m/s)
Max. drawbar pull	33 loaded	6,173 lb (2,800 kg)
Max. gradeability	34 loaded/unloaded	24.9/29.5% 25/29.5%

SYSTEMS

Brakes	35 service	Foot/hyd	
	36 parking	Hand/mech	
Engine	37 manufacturer	PSI	Cummins
	38 model	GM4.3	QSF2.8
	39 emission compliance	EPA certified	T4F
	40 cylinders	6	4
	41 displacement	4.3 liter	2.8 liter
	42 rated power	103.9 hp (77.5 kW)	72.4 hp (54 kW)
		1,700 rpm	2,200 rpm
	43 max. torque	232.6 lb/ft (239 N/m)	300 lb/ft (221 N/m)
		1,700 rpm	1,600 rpm
	Transmission	44 type	Powershift
45 speeds, fwd/rev		2/1	
Hydraulic Pressure	46 system	2,828 psi (195 bar)	
	47 attachment	2,828 psi (195 bar)	



LGNA-SS-2050H-202304-ENG-US

Specifications and designs are subject to change without notice. Machines shown may include optional equipment.

LiuGong Construction Machinery N.A., LLC.
22220 Merchants Way - Suite 100
Katy, TX 77449
USA

T: 281-579-8882
www.liugongna.com

F: 281-579-8388